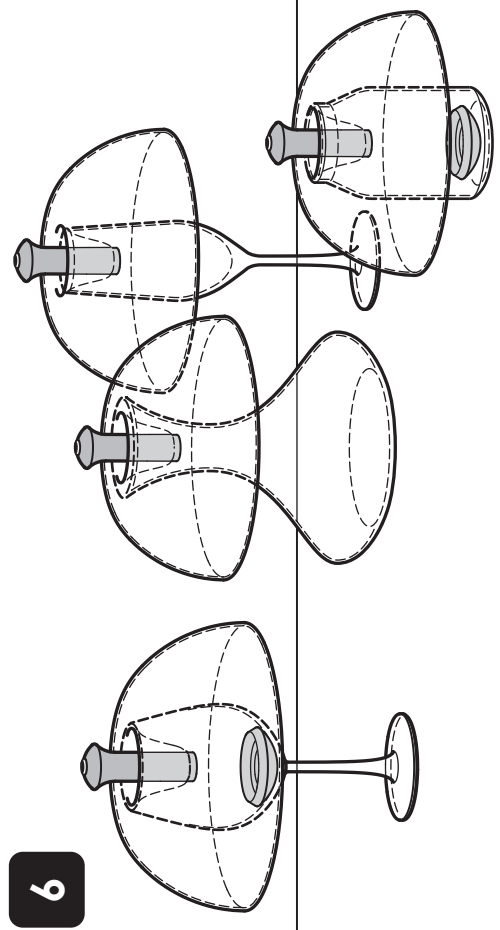
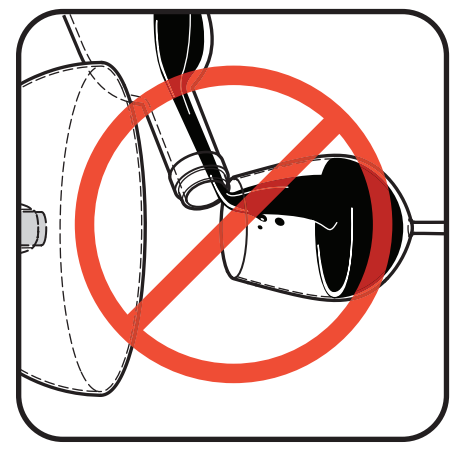
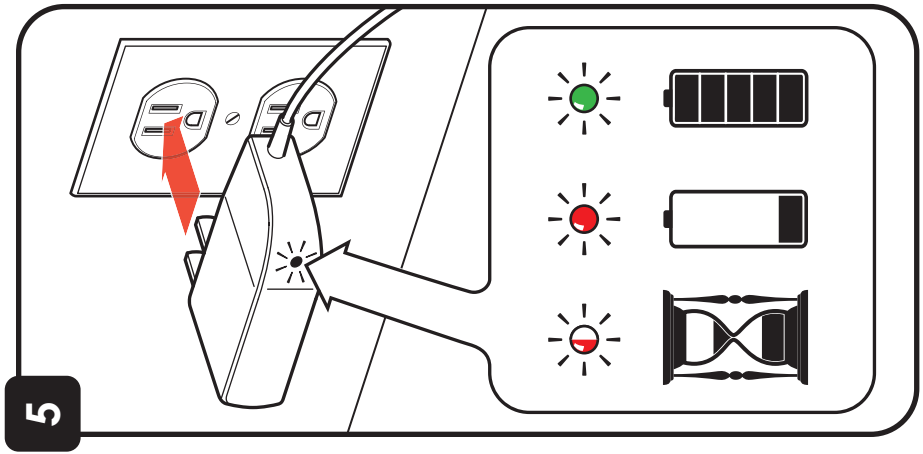
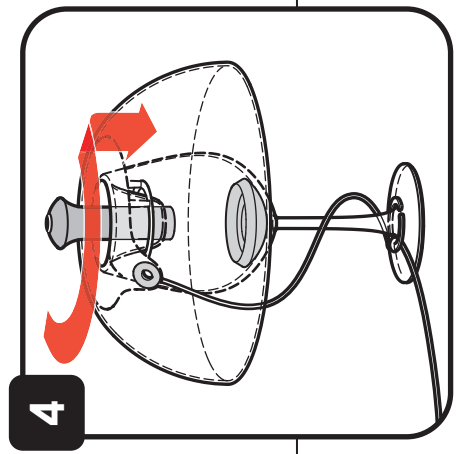
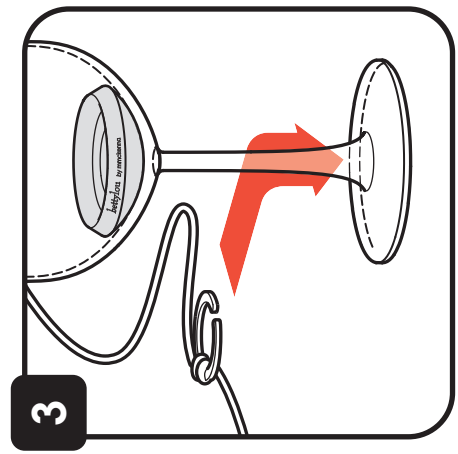
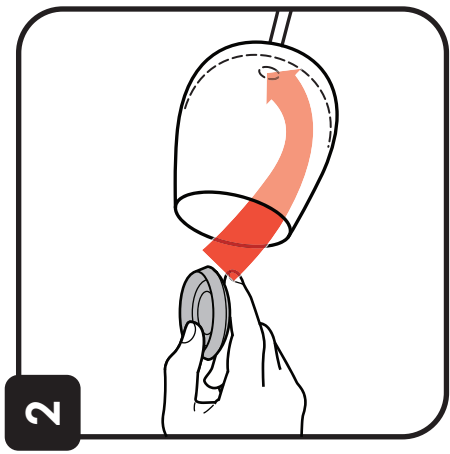
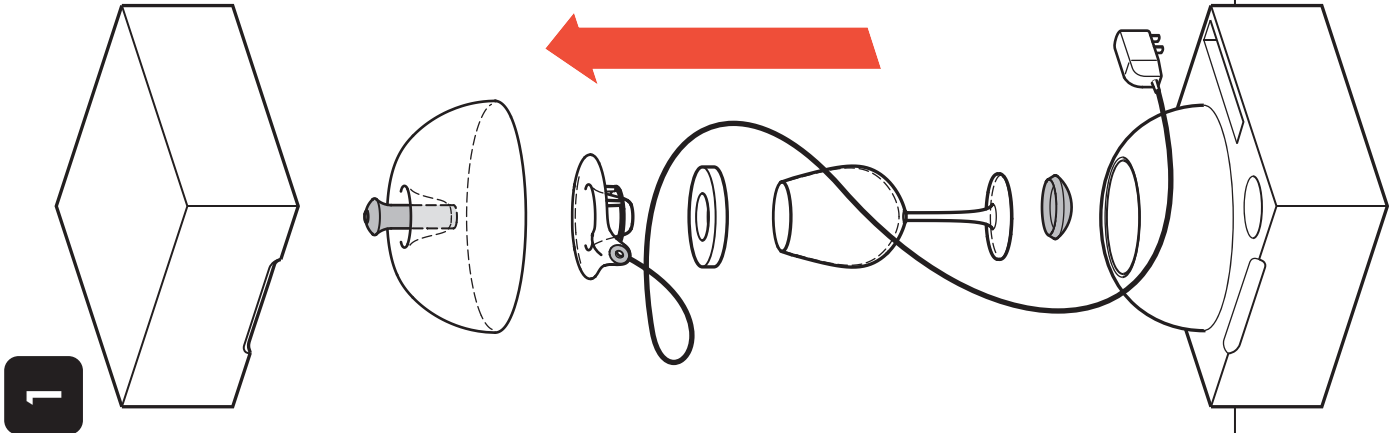


bettylou

mmckenna
611 Broadway, No. 605
New York, NY 10012
www.mmckenna.com

mmckenna 611 Broadway, No. 605, New York, NY 10012 www.mmckenna.com Tel 212 677 3481 Fax 212 677 3514



BettyLou is a cordless rechargeable lamp. Create an intimate candle-lit atmosphere by placing it on your favorite wine glass - it shines for over seven hours.

light source

produces a warm, bright, beautiful light
utilizes a 1 watt LED (minimum 11 year life span)
constant current driver guarantees consistent light output
lithium-ion rechargeable battery lasts for over 1000 charge cycles
anodized aluminum housing
can be used while charging

shade

transparent polycarbonate
scratch resistant
polishing cloth included

charging base

transparent polycarbonate
simple charging procedure, place shade on charging base
single charge lasts over 7.5 hours
80% recharged in 2 hours, 100% recharged in 6 hours
fits on most glasses

reflector

anodized aluminum
engineered for optimum light output and distribution

wine glass included

clip keeps cord organized

warranty info

product is under warranty to the original owner against manufacturing defects in material and workmanship, for a time period of one year from the original date of purchase.

do not submerge in liquid. submersion will void the warranty.

battery info

ICR18490
nominal voltage 3.7V
charge conditions (20°C±5°C)
discharge -20-60°C
temperature 20°C±5°C

power adapter

110/220 VAC nominal input, 90 VAC min., 264 VAC max.
4.2 VDC output
short circuit protected
double insulated
certified compliant with 

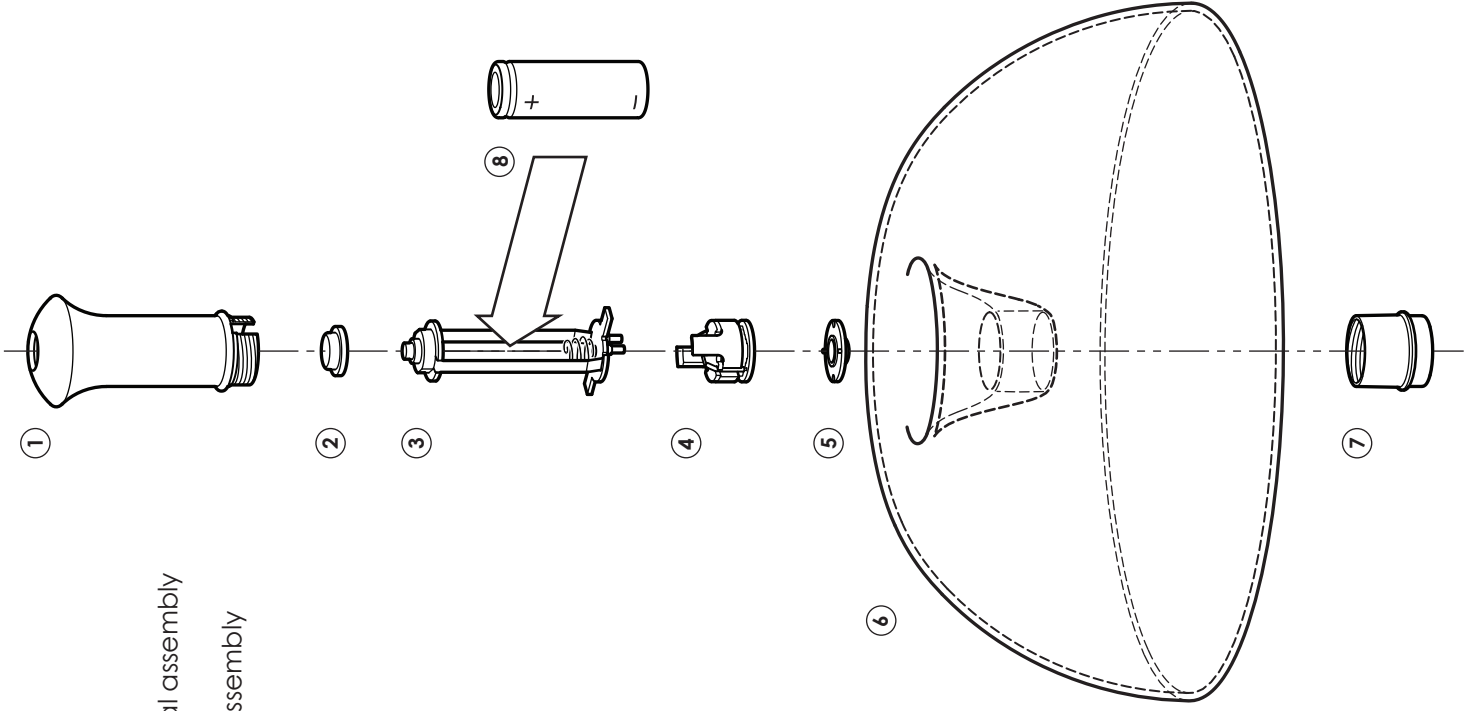
care instructions

shade & charging base to be cleaned with polishing cloth or damp, soft cloth
do not use glass cleaner

recyclable components

anodized aluminum is recyclable
polycarbonate is recyclable
lithium-ion batteries are recyclable at special facilities

- 1 barrel
- 2 switch cap
- 3 main internal assembly
- 4 LED/driver assembly
- 5 lens
- 6 shade
- 7 lens cap
- 8 battery



frequently asked questions

Will BettyLou become hot when in use?

The handle is used for heat dispersion and becomes comfortably warm to the touch.

Why won't my BettyLou light up?

After being removed from its packaging, the lamp needs some time to charge. BettyLou will not light up at all if there is insufficient charge in the battery. Place your BettyLou on the charging stand. Within a few minutes, it should have stored enough energy to light the LED.

How long does the lamp take to charge? How long will it remain lit?

Depending on the prevailing temperature, the lamp is fully charged after 6 hours. Most of the charging is done in the first two hours. It should then provide light for over 7 ½ hours.

What does the light on the power adapter mean?

A blinking light indicates that the battery charge is very low. Please allow your lamp to charge! A red light represents that the lamp is charging while a green light signifies a full charge.

Is BettyLou an environmentally friendly product?

No heavy metals are used in the construction of BettyLou. The lamp is designed to be easily disassembled and recycled. With the exception of the circuit boards, every component can be recycled, including the battery.

What is the lifespan of the battery?

Over 1000 charge cycles.

Can the lamp be submerged?

No. Placing the lamp in liquid will void the warranty and damage your BettyLou. Trust us on this.

Can I use my BettyLou out of doors?

Yes. The only two factors affecting the performance of BettyLou are temperature and moisture. Basically, the battery performance suffers if it is too hot or too cold. And since water is a conductor of electricity, there is a good chance your BettyLou will stop working if it gets too wet. Therefore, short of being baked in the sun, frozen in a snowdrift, or drenched in a downpour, your BettyLou will work outside just fine.

How do I clean my BettyLou?

Use the included polishing cloth or a mild soap.

I'm moving to a different country, can I use my BettyLou outside the U.S.?

Yes. BettyLou uses a charger which is tolerant of any AC voltage from 96 all the way up to 240. Just use a travel adapter, and your BettyLou should function perfectly.