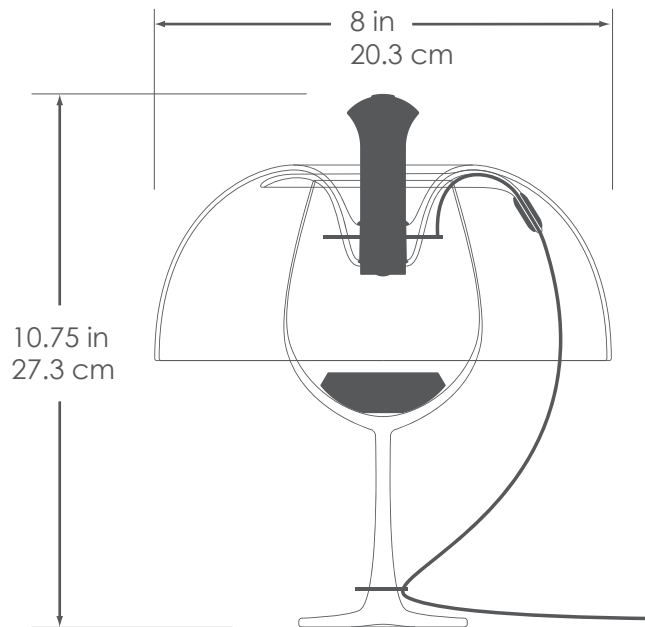


bettylou

BettyLou is a cordless rechargeable lamp. Create an intimate candle-lit atmosphere by placing it on your favorite wine glass - it shines for over seven hours.



light source

- produces a warm, bright, beautiful light
- utilizes a 1 watt LED (minimum 11 year life span)
- constant current driver guarantees consistent light output
- lithium-ion rechargeable battery lasts for over 1000 charge cycles
- anodized aluminum housing
- can be used while charging

shade

- transparent polycarbonate
- scratch resistant
- polishing cloth included

charging base

- simple charging procedure, place shade on charging base
- single charge lasts over 7.5 hours
- 80% recharged in 2 hours, 100% recharged in 6 hours
- fits on most glasses




reflector

- anodized aluminum
- engineered for optimum light output and distribution

wine glass included

clip keeps cord organized

power adapter

- 110/220 volt input
- short circuit protected
- double insulated
- certified compliant with   

finishes

gold



silver



Do not submerge. Not waterproof.

Heavy Metal Free / RoHS compliant
Made in Taiwan
Design by mmckenna 2008

MSRP \$275.00 USD